



AICRP ON ERGONOMICS & SAFETY IN AGRICULTURE
DEPARTMENT OF FARM MACHINERY & POWER
COLLEGE OF AGRICULTURAL ENGINEERING & TECHNOLOGY
OUAT, BHUBANESWAR-751 003



Dr. S.K. Mohanty, Ph. D.
Research Engineer

Phone: 0674 -2564111(O)
9437522583(M)

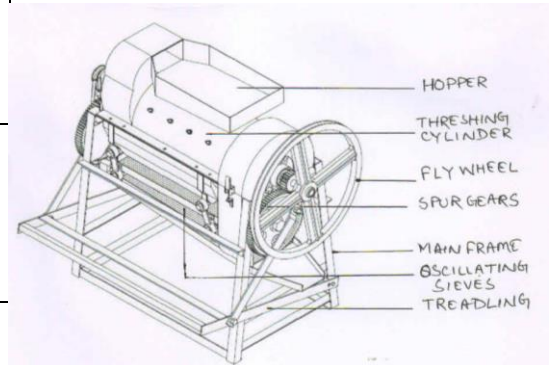
E-mail: esaouat@yahoo.com

No_ 84 ESA Dt. 18.03.2020

Quotation Call Notice

Sealed quotations are invited from registered SSI firms having GST registration dealing with manufacturing of agricultural implements for fabrication of two nos prototype of manually operated ragi thresher as per the sketch and specifications given below. The quotation for fabrication and supply of the same along with the terms and conditions if any should be submitted to the undersigned within 7 days of the issue of this notice.

Sl No	Particulars	Specification
1	Overall dimensions: L x B x H, mm	1120 x 730 x 1010
2	Threshing cylinder: L x dia, mm Threshing element, nos (ms rod 10 mm & canvas strips alternately) Number and type of bearings:	610 x 390 6 2 nos, ball bearings
3	Type of threshing cylinder	Stud and canvas strips type threshing element alternately fitted of threshing slats
4	Recommended speed of main drive, rpm:	500
5	Feeding chute: L x B x H, mm	590 x 260 x 130
6	Concave type Dia & length mm Concave clearance(adjustable), mm	Semi-cylindrical 500 x 540 4
7	Blower type No fo blades:	Aspirator type 4



Sd/-
Research Engineer



**AICRP ON ERGONOMICS & SAFETY IN AGRICULTURE
DEPARTMENT OF FARM MACHINERY & POWER
COLLEGE OF AGRICULTURAL ENGINEERING & TECHNOLOGY
OUAT, BHUBANESWAR-751 003**



Dr. S.K. Mohanty, Ph. D.
Research Engineer

Phone: 0674 -2564111(O)
9437522583(M)

E-mail: esaouat@yahoo.com

No_ 84 ESA Dt. 18.03.2020