



AICRP ON UTILIZATION OF ANIMAL ENERGY
DEPARTMENT OF FARM MACHINERY & POWER
COLLEGE OF AGRICULTURAL ENGINEERING & TECHNOLOGY
OUAT, BHUBANESWAR-751 003



Dr. S.K. Swain, Ph. D.

Officer in Charge

Phone: 0674 -2560538(O)

9437206151(M)

Fax: 0674-2562360

E-mail: swainsangram@yahoo.co.in

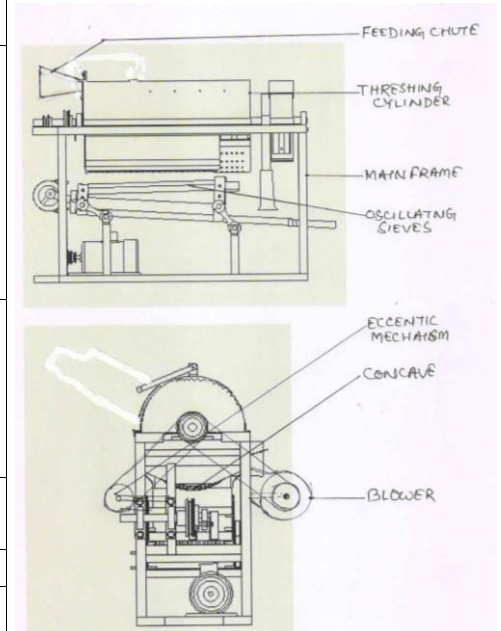
No_ 69

UAE Dt. 18.03.2020

Quotation Call Notice

Sealed quotations are invited from registered SSI firms having GST registration dealing with manufacturing of agricultural implements for fabrication of one no prototype of a green gram thresher to be operated by bullock operated rotary system as per the sketch and specifications given below. The quotation for fabrication and supply of the same along with the terms and conditions if any should be submitted to the undersigned within 7 days of the issue of this notice.

Sl No	Particulars	Specification
1	Overall dimensions: L x B x H, mm	1050 x 400 x 850
2	Threshing cylinder: L x dia, mm Threshing cylinder shaft: L x dia, mm Threshing slats, nos (40 x8 mm ms flat): Threshing element, nos (ms rod 10 mm & flat 25 x 5 mm Number and type of bearings:	550 x 400 1050 x 30 6 8 2 nos ball bearings
3	Type of threshing cylinder	Stud and knife type threshing element alternately fitted of threshing slats
3	Recommended speed of main drive, rpm:	500
3	Feeding chute: L x B x H, mm	350 x 400 x150
4	Concave type Dia & length mm Concave clearance(adjustable), mm	Semi-cylindrical 410 x 550 6
5	Blower type Dia & length, mm	Centrifugal 300 x 550



S. Swain

Officer-In-Charge