



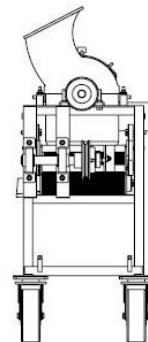
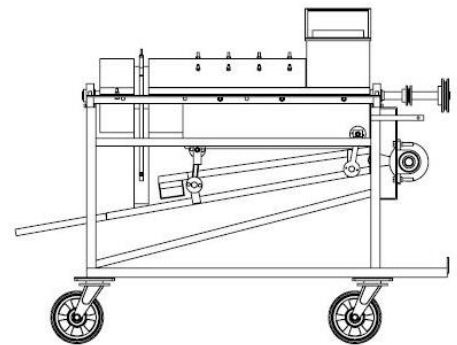
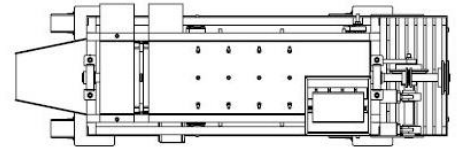
Dr. S.K. Swain, Ph. D.
Officer in Charge

Phone: 0674 -2560538(O)
M-9437206151 Fax: 0674-2562360
E-mail: swainsangram@yahoo.co.in
No_ 49 ___/UAE Dt. 08.03.2021

Quotation Call Notice

Sealed quotations are invited from registered SSI firms having GST registration dealing with manufacturing of agricultural implements for fabrication of one no. prototype of a Pearl Millet thresher to be operated by bullock operated rotary system as per the sketch and the specifications given below. The quotation for fabrication and supply of the same along with the terms and conditions if any should be submitted to the undersigned within 7 days of the issue of this notice.

Sl. No	Particulars	Specifications
1.	Overall dimensions; L x B x H, mm	1450 x 845x 1085
2.	Threshing cylinder; L x dia, mm Threshing cylinder shaft; L x dia,mm Threshing slats, nos (40x8mmMSflat): Threshing element, nos(MSrod10mm) Number and type of bearings:	820 x 175 1350 x 38 6 7 studs & 7 knife on each slats 2 nos of ball bearings
3.	Type of threshing cylinder	Stud and knife type threshing cylinder elements alternatively fitted on threshing drum
4.	Recommended speed of main drive, rpm:	550-650 rpm
5.	Feeding chute; L x B x H, mm	450 x 310 x 2
6.	Concave type Dia & length mm Concave clearance (adjustable), mm	Semi-cylindrical 300 x 700 10
7.	Blower type Dia & length, mm	Centrifugal aspirator type 150 x 80



S. Swain

Research Engineer & OIC