



**COLLEGE OF AGRICULTURAL ENGINEERING AND TECHNOLOGY  
ODISHA UNIVERSITY OF AGRICULTURE AND TECHNOLOGY  
BHUBANESWAR – 751003**

Visit us at: [www.ouat.nic.in](http://www.ouat.nic.in)

No. 909/CAET

Dt. 17.06.2022

**Expression of Interest for manufacturing of farm equipment**

College of Agricultural Engineering and Technology (CAET), Odisha University of Agriculture and Technology, Bhubaneswar invites “Expression of Interest” from manufacturer(s) of agriculture machineries/ implements with empanelled/ authorized firms having valid PAN and GST number, VAT & Service Tax clearance certificates for manufacturing of **four** numbers of “**Tractor operated straw chopper cum seeder**” as per the design and technical specifications enclosed at Annexure-I (download from [www.ouat.nic.in](http://www.ouat.nic.in)) and delivering at College of Agricultural Engineering and Technology, Bhubaneswar within seven days upon award of assignment.

**Important dates:**

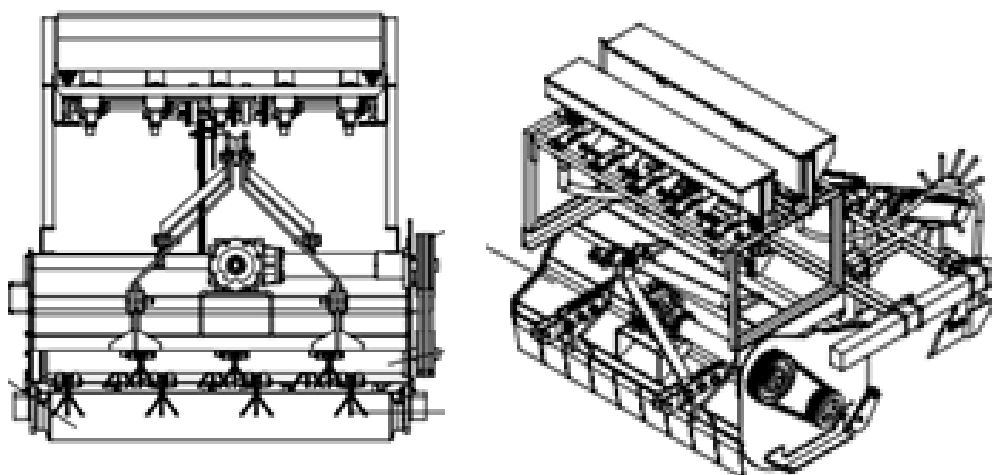
Sl. No.	Purpose	Dates & Specifications
1.	Date of publication of Expression of Interest (EOI)	<b>18.06.2022</b>
2.	Campus visit and discussion	18.06.2022 to 23.06.2022 (only on official working days from 10.00 am to 5.00 pm)
3.	Last date of submission of EOI	<b>24.06.2022 up to 5.00 pm</b>
4.	Submission of Technical and Financial Bids	The firm(s) are requested to submit the EoI (both Technical and Financial Bids separately) by hand in sealed envelopes to the contact persons as mentioned below
5.	Contact persons to facilitate campus visit and receipt of EoI	Head, Department of FMPE, CAET, Bhubaneswar Contact No. 7978000363

**Terms & Conditions:**

- The Firms should have PAN and GST number, VAT & Service Tax clearance certificates.
- The Firms should have documentary evidence on past experience in executing similar work in manufacturing of agricultural machineries and implements
- No TA/DA/ Service charge etc shall be paid for conducting the campus visit
- The bids should have enough broad variables for comparison of technical and financial aspects
- OUAT reserves the right to revise the terms and conditions as and when needed and also can reject the bid in totality.

**S/d  
Dean, CAET**

### Design of Tractor operated straw chopper cum seeder



#### Technical specifications of tractor operated straw chopper cum seeder

Sl. No.	Item/Particulars	Specifications
1	Name of the machine	Straw chopper cum seeder
2	Power source	Tractor
3	Overall dimensions	
	Length, mm	2352
	Width, mm	1599
	Height, mm	1584
4	Effective working width, mm	1500
	<b>Seeding unit</b>	
5	Seed metering type	Fluted roller
6	Seed hopper capacity, kg	36
7	Number of furrow openers	05
8	Type of furrow openers	Inverted-T
9	Length of shank, mm	370
10	Rake angle of furrow opener, deg	65 <sup>0</sup>
11	Furrow spacing, mm	300
12	Frame type	Fixed double beam
	<b>Chopping unit</b>	
13	Diameter of chopping shaft, mm	150
14	Flail type	Inverted-Y
15	Mounting type	Hinged
16	Number of rows of flails	4
17	Number of flails	14
18	Flail spacing, mm	87.5
19	Press roller dimension, mm	180
20	Transmission	
21	Gear ratio	1:2.5
22	Diameter of pullies, mm	230 and 160
23	Type and section of pulley	B-section, V-belt